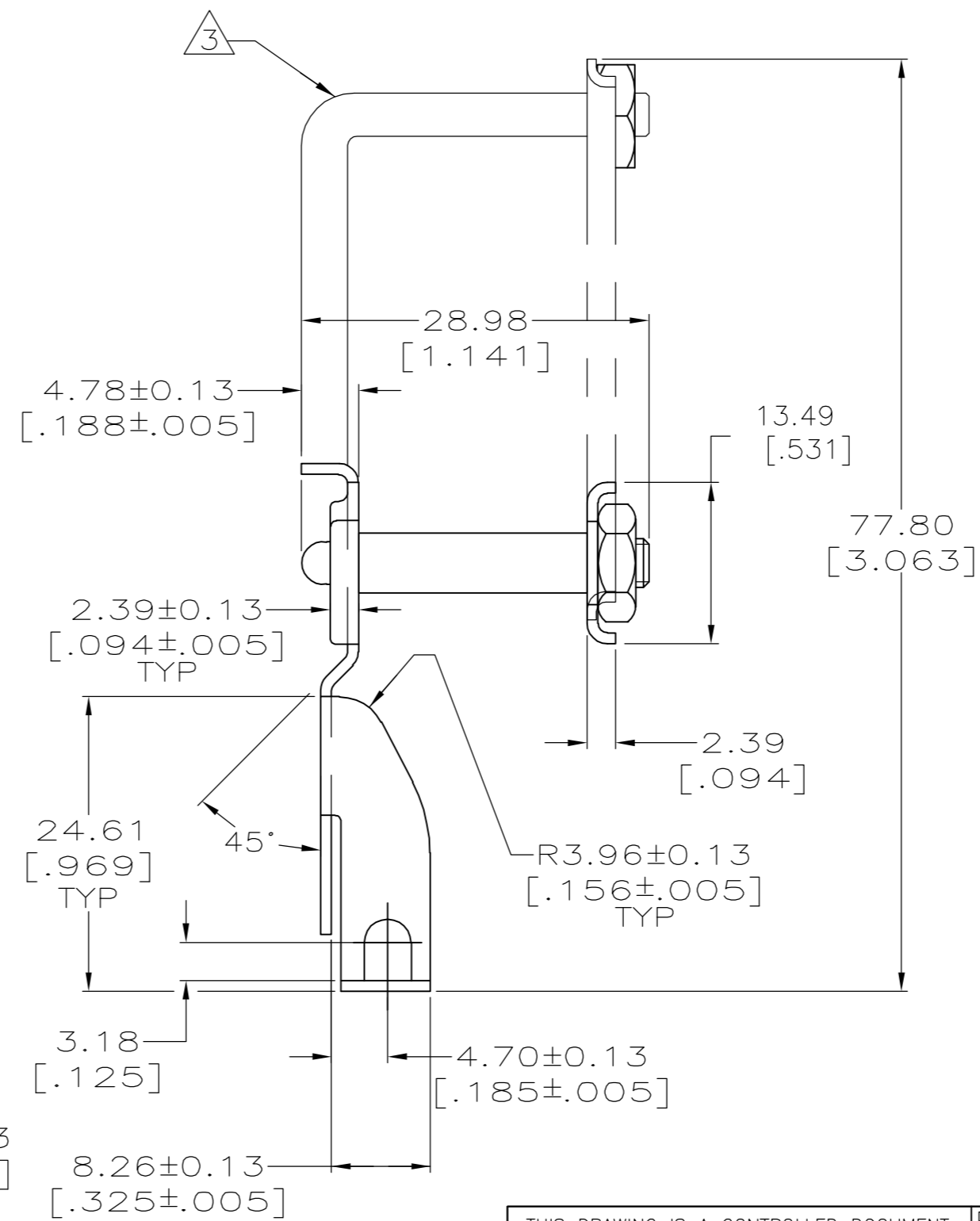
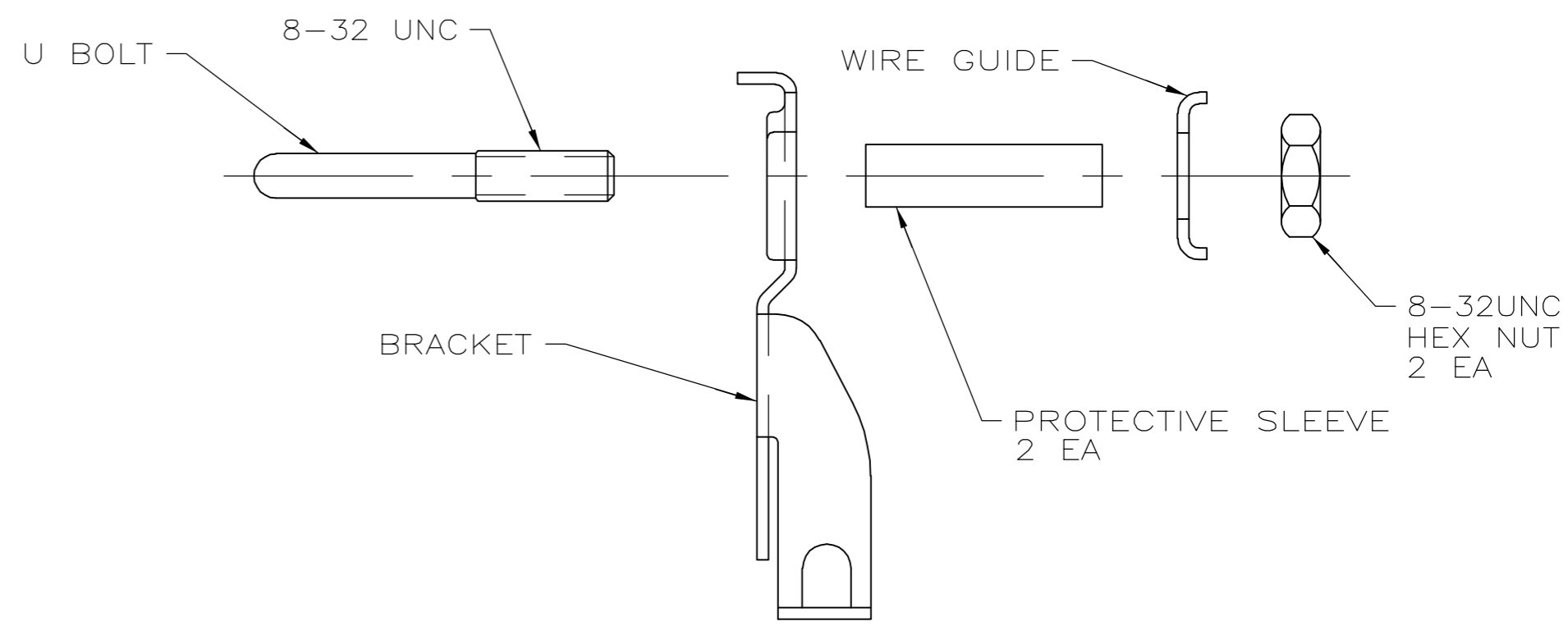
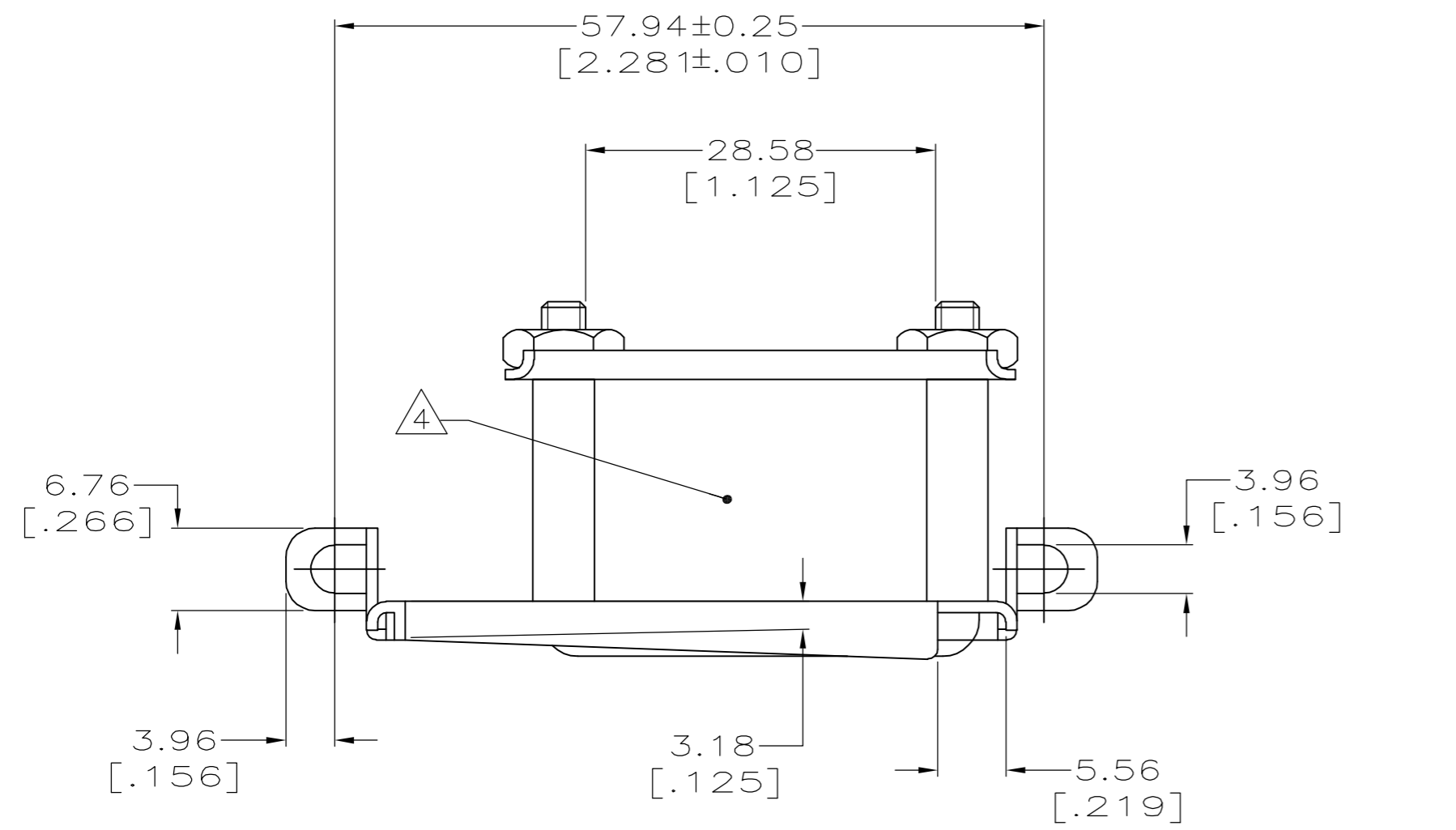


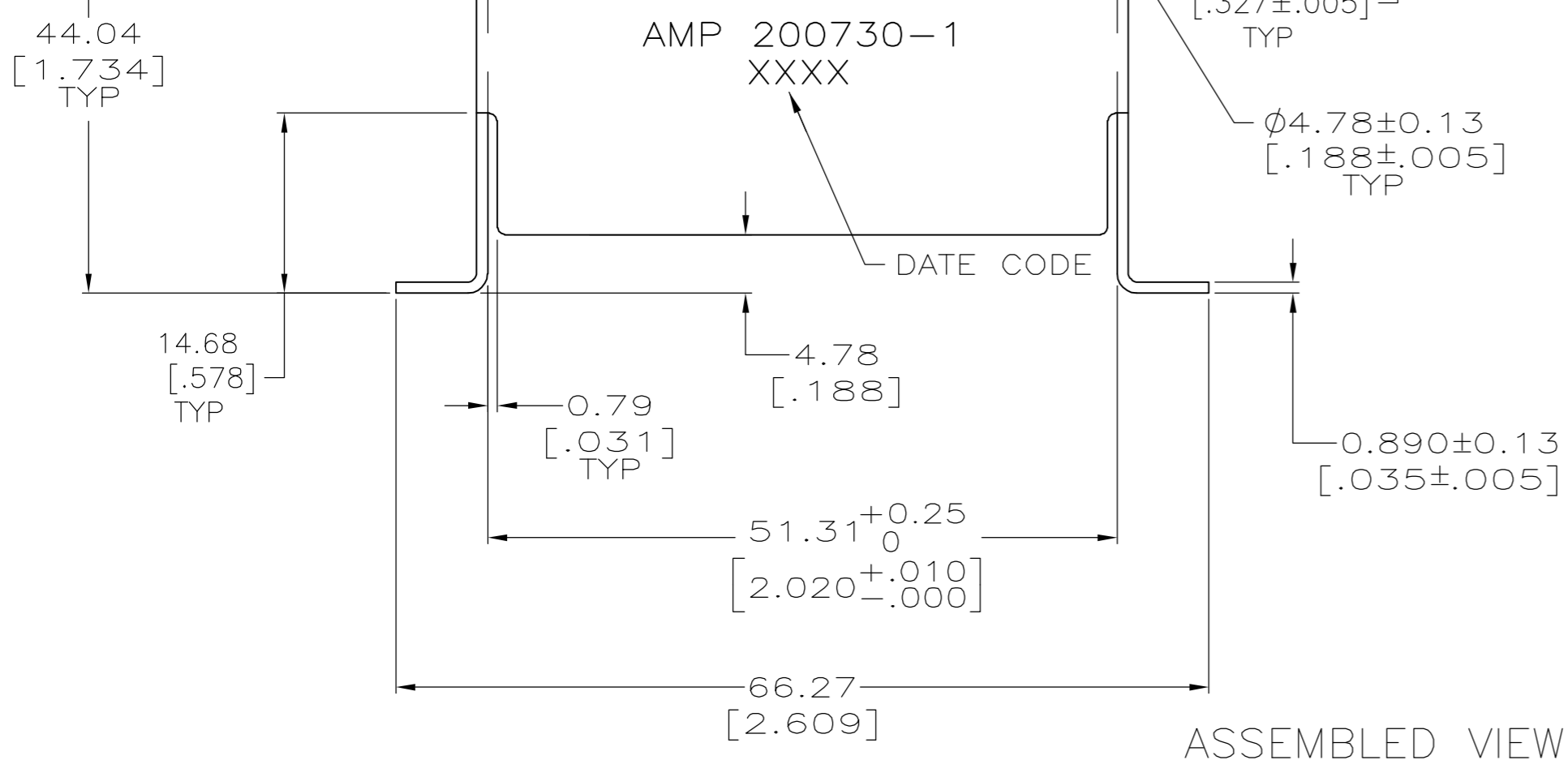
THIS DRAWING IS UNPUBLISHED. RELEASED FOR PUBLICATION  
 © COPYRIGHT BY TYCO ELECTRONICS CORPORATION. ALL RIGHTS RESERVED.

LOC	DIST	REVISIONS					
FT	0	P	LTR	DESCRIPTION	DATE	DWN	APVD
		K1		REVISED PER ECO-05-4934	7/20/05	SS	GS



- BRACKET, HEX NUT & WIRE GUIDE: CARBON STEEL. U BOLT: STAINLESS STEEL. PROTECTIVE SLEEVE: POLYVINYL CHLORIDE.
  - BRACKET & WIRE GUIDE: 5.08um[.000200] MIN NICKEL. HEX NUT: ZINC PLATED. U BOLT: PASSIVATED.
- 3 ALTERNATE POSITION OF U BOLT FOR 90° CABLE OUTLET.
  - 4 513.55 SQ mm[.796 SQ IN] MAX CABLE CLAMP AREA.
  - 5 ZINC PLATED WITH HEXAVALENT CHROMIUM.
  - 6 ZINC PLATED WITH NON-HEXAVALENT CHROMIUM.

6	200730-4
5	200730-1
HEX NUT FINISH	PART NUMBER



ASSEMBLED VIEW

THIS DRAWING IS A CONTROLLED DOCUMENT.		DWN M.BINNER 5 AUG 96	Tyco Electronics Corporation Harrisburg, Pa 17105-3608	
DIMENSIONS: mm [INCHES]		CHK R.STONE 13 AUG 96	NAME G.STEINHAUER 21 JAN 97	
TOLERANCES UNLESS OTHERWISE SPECIFIED:		APVD G.STEINHAUER 21 JAN 97	PRODUCT SPEC	
0 PLC ± -		APPLICATION SPEC	114-10015	
1 PLC ± -		WEIGHT	-	
2 PLC ± 0.41 [.016]		CUSTOMER DRAWING	SCALE 2:1 SHEET 1 OF 1 REV K1	
3 PLC ± -		SIZE A2 CAGE CODE 00779 DRAWING NO C=200730 RESTRICTED TO -		
4 PLC ± -				
ANGLES ± -				
FINISH -				